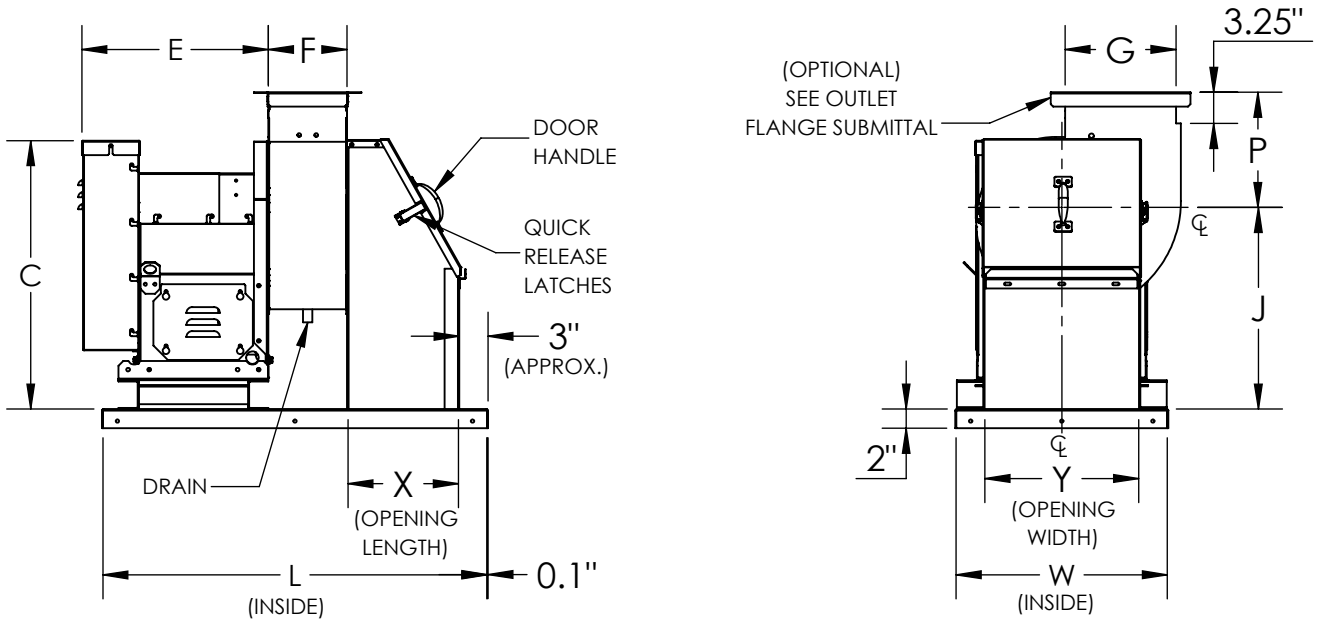




DATE: TAG:
 JOB:
 PROJECT:
 COMPANY:
 SALES PERSON:

UVS2, CLASS-1, ARRANGEMENT- 10
 INLET BOX AND CURB CAP FOR UL SMOKE CONTROL SYSTEMS



STANDARD CONSTRUCTION:

1. Discharge: UB
2. Rotation: CW/CCW (CW shown above)
3. Steel Wheel
4. Welded and Coated Housing, Bolted and Galvanized Pedestal
5. Welded and Coated Inlet Box and Curb Cap
6. 1045 TG&P Shaft
7. 80K L10 Life Bearings
8. Adjustable Motor Base Assembly
9. Weather Cover
10. Heat Slinger
11. Shaft Seal (Ceramic)
12. Motor Heat Shield

OPTIONAL ACCESSORIES:

1. Speed Controllers (shipped loose only)
2. Pre-Wired Switch NEMA 3R
3. Curb
4. Outlet Stack (Outlet Flange required)
5. Extended Lube Lines
6. Access Door (Bolted or Hinged)
7. Flanged Outlet
8. Housing Drain 3/4" NPT
9. High Temperature Paint

DIMENSIONAL DATA

Size	C	E	F	G	J	L	P	W	X	Y	MAX. WT. (lbs)	MAX. RPM	MAX. MTR
60	27.94	19.44	8.19	11.56	21.00	40.00	12.00	22.00	11.50	16.00	208	4400	145T
70	27.94	19.44	8.19	11.56	21.00	40.00	12.00	22.00	11.50	16.00	208	4400	145T
80	27.94	19.44	8.19	11.56	21.00	40.00	12.00	22.00	11.50	16.00	208	4400	145T
105	27.94	19.44	8.19	11.56	21.00	40.00	12.00	22.00	11.50	16.00	208	4400	145T
122	27.94	21.44	9.88	13.06	21.00	45.00	13.50	25.00	13.00	19.00	249	3550	182T
135	28.31	21.44	10.88	14.38	21.38	46.00	14.25	28.00	13.00	22.00	274	3222	182T
150	29.94	22.44	12.06	15.88	23.00	47.00	14.75	30.00	13.00	24.00	305	2900	184T
165	31.56	22.44	13.25	17.56	24.63	52.00	14.75	33.00	16.00	27.00	358	2636	184T
182	35.19	26.06	14.06	20.06	26.63	56.00	15.00	35.00	17.50	29.00	426	2300	215T
200	37.31	26.06	15.38	22.00	28.75	61.00	16.25	38.00	20.50	32.00	525	2100	215T
222	39.81	26.06	17.13	24.50	31.25	64.00	18.00	42.00	22.00	36.00	630	1888	215T
245	43.94	31.56	18.75	27.00	33.75	73.00	19.75	45.00	24.00	39.00	768	1714	215T
270	46.94	31.56	20.63	29.75	36.75	74.00	21.75	48.00	22.50	42.00	870	1556	254T

ALL DIMENSIONS ARE IN INCHES, WEIGHTS ARE APPROXIMATE AND DOES NOT INCLUDE DRIVES OR ACCESSORIES.

REVISION:

FORM:

REPLACES: